

Description

The Unite™ range of screw terminal block and cable gland connectors are incredibly easy to install.

Application

Ideal for straightforward cable connecting or routing through panels for Marine or harsh environment applications

IP68 UNITE™ CONNECTOR SERIES

REF	CABLE SIZE mm	DESCRIPTION	RATING	DIMENSIONS L x Dia mm
IM682-A2	2 sized rubber bungs provided 5-9, 9-12	2-Pin screw terminal block with M20 cable gland.	450V 16A	76 x 27
IM682-A3	2 sized rubber bungs provided 5-9, 9-12	3-Pin screw terminal block with M20 cable gland.	450V 16A	76 x 27
IM682-A4	2 sized rubber bungs provided 5-9, 9-12	4-Pin screw terminal block with M20 cable gland.	450V 16A	76 x 27



IM682-A2

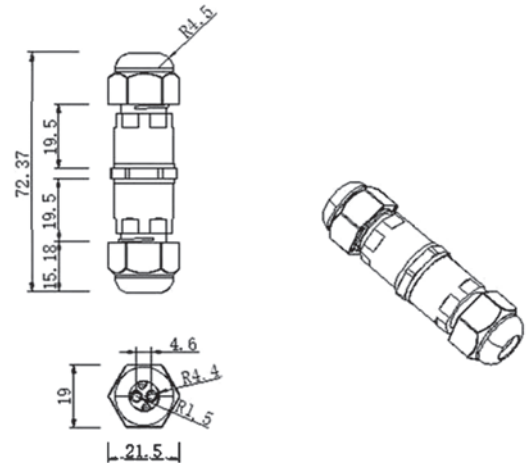
Materials

Housing Material	Nylon PA66
Fire Retardant Level	V2
Working Temperature	T60
Core Insert	3pin
Cross Section	0.5 ~ 0.75mm ²
Cable diameter	4-8mm

Attributes

Rating	IP68
Certificate	CE RoHS

IM682 Dimensions



IM682-A4

IP68 UNITE™ 1 INPUT – 2 OUTPUT CONNECTOR

REF	CABLE SIZE mm	DESCRIPTION	RATING	DIMENSIONS L x Dia mm
IM684-C2	2 sized rubber bungs provided 5-9, 9-12	2-Pin 1 input - 2 output. Screw terminal block with M20 cable gland.	450V 16A	76 x 27



Materials	
Voltage	16A 450VAC
Housing Material	Nylon PA66
Fire Retardant Level	V2
Working Temperature	T60
Core Insert	2 pin / 3 pin / 4 pin
Cross Section	0.5 ~ 2.5mm ²
Cable diameter	5-9mm / 9-12mm
Attributes	
Rating	IP68
Certificate	TUV CE RoHS

IM684 Dimensions

