

## BE18 - 4 Station Flood Detection Unit

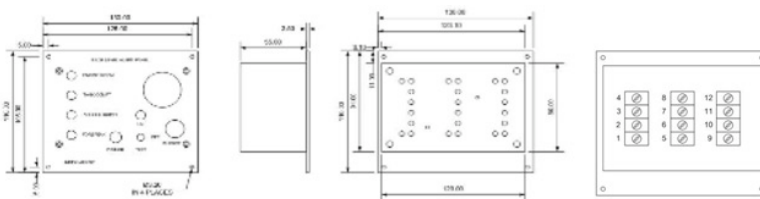
### Installation and User Notes

A rugged, splash proof and versatile alarm panel that can monitor up to 4 independent areas using either specialist sensors or simple switch contacts. This enables the unit to monitor areas such as bilge and tank levels, engine temperature, gas levels, open hatches/doors etc. or any combination. Rugged solid state design. 12 or 24V DC supply. Rugged solid state design, 12 or 24V DC supply and pulsed sensor outputs reduce current use.

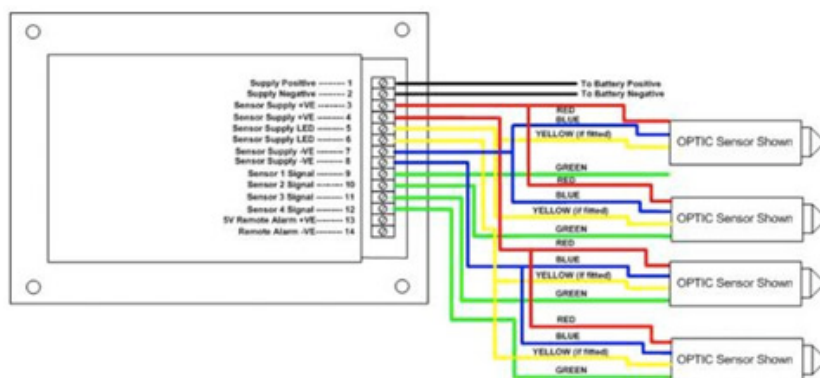
#### Operation

The BE18 Bilge Level Alarm Panel can be used to monitor up to 4 independent stations. The power toggle switch has 3 positions, "On" "Off" and "Test". In the "Test" position all LED's will light and the alarm will sound. The alarm can be silenced just to check the system. For standard operation the switch power toggle to "On" position. The "Off" position will switch off power and shut down all monitoring functions. The Dimmer function will reduce the LED's light output for night time operation. The sensors are pulsed every 20 seconds to conserve battery life and have built in delays of 3 seconds to prevent the unit being constantly triggered by the sloshing of liquids when level sensors are being monitored. When triggered, the unit will sound the alarm and an LED will light to show which sensor has triggered the alarm. Pressing the silence button will stop the alarm but the LED will continue to show until the level has been corrected. The alarm will automatically silence within 30 seconds to conserve battery power. If a detection persists, the user may silence the audible alarm by pressing the SILENCE push button, but the LED's will not be switched OFF while a water detection is still present. When the audible alarm is silenced, the systems remain operational and if another station detects water, its LED will come on and the audible alarm will restart.

#### Dimensions



Terminal Number	Function	Sensor Colour
1	Supply Positive (+ve)	Ship Supply
2	Supply Negative (-ve)	Ship Supply
3	Sensor Supply +ve	Red - Sensor 1 & 2
4	Sensor Supply +ve	Red - Sensor 3 & 4
5	Sensor LED	Yellow - Sensor 1 & 2
6	Sensor LED	Yellow - Sensor 3 & 4
7	Sensor Supply -ve	Blue - Sensor 1 & 2
8	Sensor Supply -ve	Blue - Sensor 3 & 4
9	Sensor Signal 1	Green - Sensor 1
10	Sensor Signal 2	Green - Sensor 2
11	Sensor Signal 3	Green - Sensor 3
12	Sensor Signal 4	Green - Sensor 4



Note: Yellow wire not connected on resistive sensor.

*Unless specifically stated in its Terms and Conditions of Sale in relation to this product, Index Marine Ltd and its affiliates make no warranties of any kind, either express or implied, including but not limited to warranties of merchantability, fitness for a particular purpose, of title, or of non-infringement of third party rights. Use of the product by a user is at the user's risk.*

### Index Marine Ltd

Unit 42 Enterprise Park, Piddlehinton, Dorset DT2 7UA, United Kingdom

T: +44 (0) 1305849405

info@indexmarine.com

www.indexmarine.com