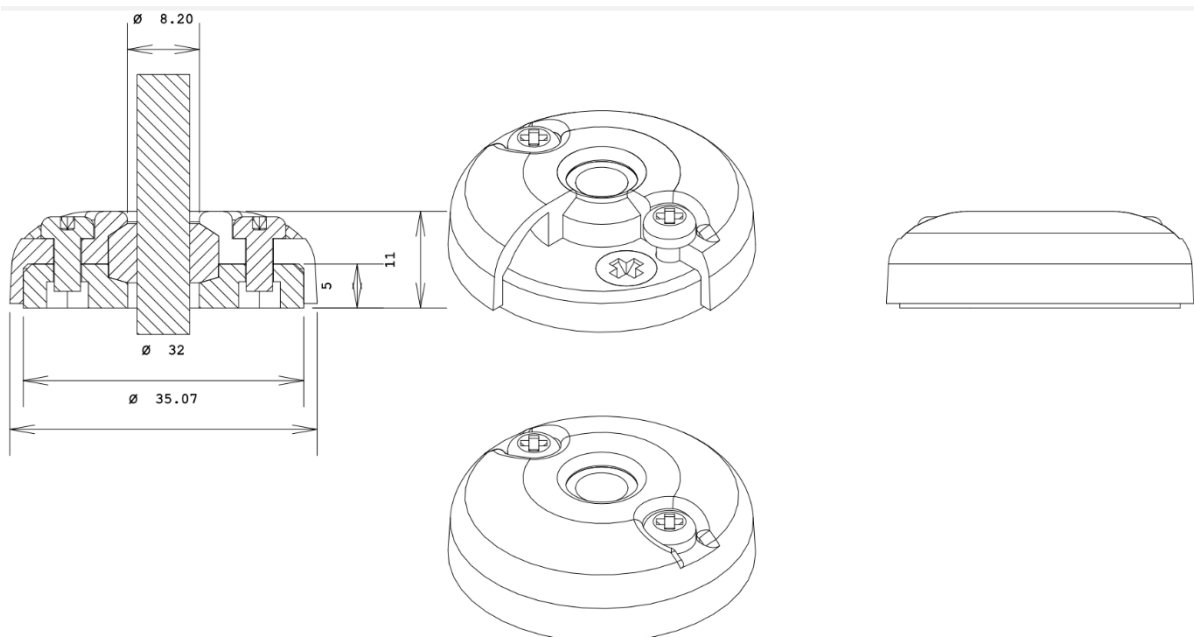
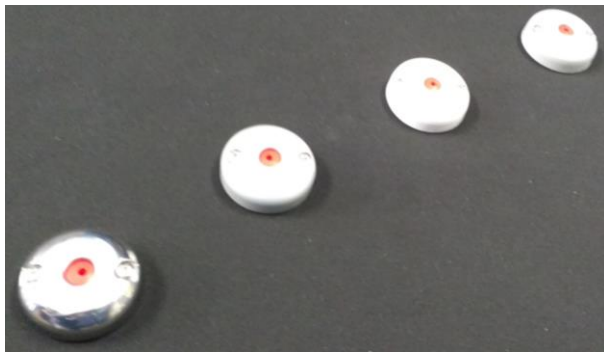


Deck Gland 8

Part Number	A1-DG8
Description	<p>Waterproof / dustproof (to IP68) gland with perpendicular cable entry.</p> <p>Cable Size: 2mm – 8mm</p> <p>Material: Plastic Grey, Plastic White, Anodised Aluminium, 316 Stainless Steel</p>
Application	<p>Allows a cable to pass through a flat surface while protecting against the ingress of water and dust. Ideal for electrical power, aerial or data communications cables and fibre optics. Recommended for use on boats caravans and RV's as well as data communication, construction and renewable energy industries due to its rugged design and capability to perform in the harshest of environments.</p>



Designed for the Marine industry – IP68 for all applications

Manufactured by Index Marine in the UK

Index Marine Ltd, Unit 42 Enterprise business park, Piddlehinton, Dorset, DT2 9BP, United Kingdom
 Tel: +44 1305 849405

Sales@indexmarine.co.uk

www.Indexmarine.co.uk